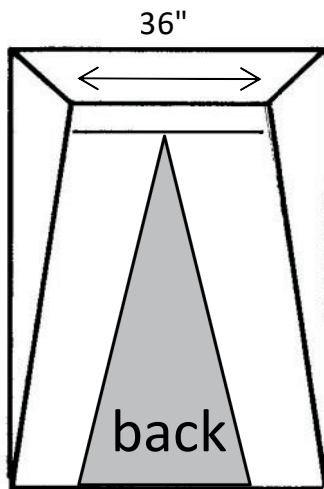
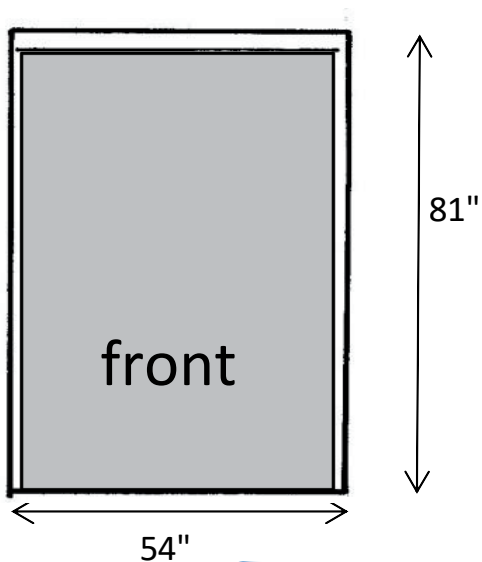
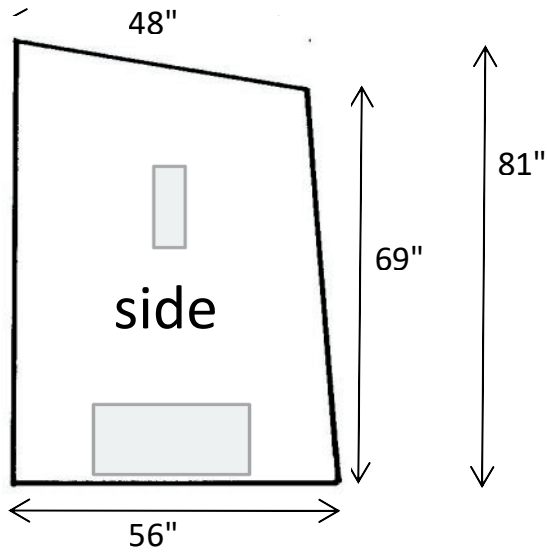


MANHOLE TENT/FTTH

U-TECK's FTTH Manhole Tents offer easy set up in seconds with no loose parts. The tents unified frame made with cold rolled steel and fiberglass is virtually unbreakable.



Features:

- Two door tent with front full width roll-up door and split back zipper door
- 24" X 12" safety vents on two sides
- Winch access panels
- 12" ground flaps on two sides
- 14' wind lines on two sides

Ordering Information

Product :	Description:	VPN:
MANHOLE TENT	27 lbs., 81" X 54" X 56"	39169

www.uteck.com | 1-800-542-7011