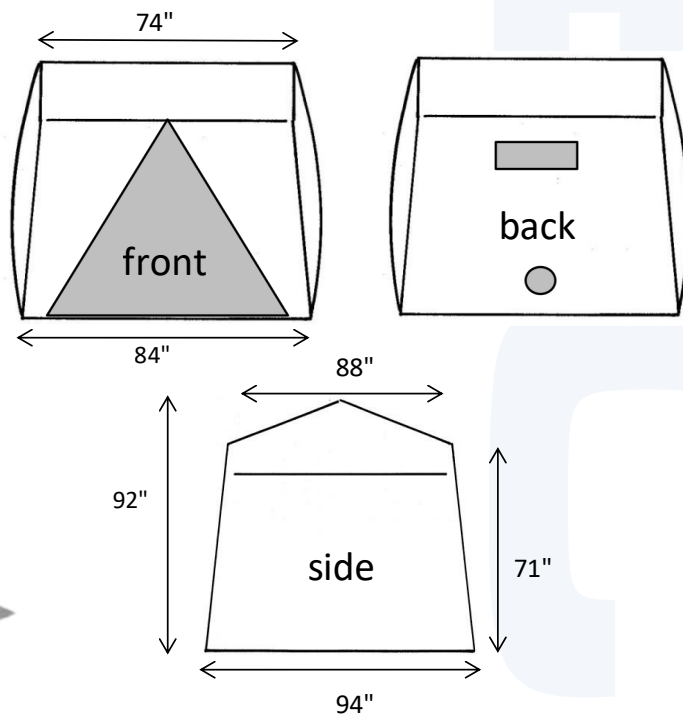


COLD WEATHER TENT

Cold Weather Tents set up in seconds with no loose parts. The tents unified frame made with cold rolled steel and fiberglass is virtually unbreakable.

Features:

- One door tent with single split zipper door
- 9" X 16" vent window in the back
- 10" blower port in the back
- 12" ground flaps on two sides
- 14" windlines on two sides
- Quick-pak storage wrap for easy storage



Ordering Information

Product:	Description:	VPN:
COLD WEATHER TENT	52 lbs., 8' x 7'	39167

www.uteck.com | 1-800-542-7011